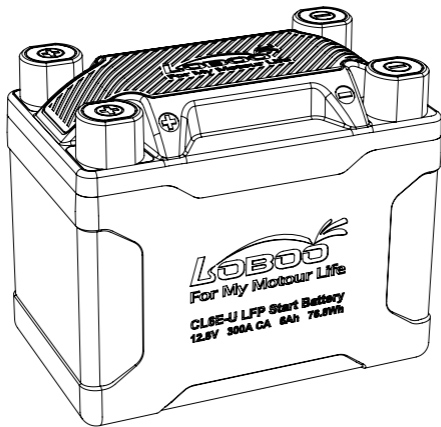


# 摩托车安全锂电池 使用说明书

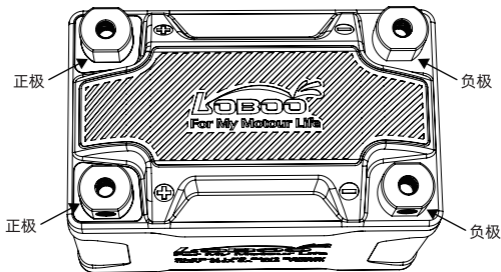
Model CL6E-U



适用范围: 排量900cc以下直流电压12V的燃油摩托车。

\*使用本产品前请仔细阅读本说明书, 以免使用不当造成产品损坏。

## 一、产品示意图



## 二、产品参数

尺寸	114 × 70 × 95mm
重量	1200g
容量	6AH
充电电压	14.6V (MAX)
标准充电	3A/2.5h
快速充电	6A/1.5h
最大持续放电电流	70A
低温充电加热功能	当电池温度低于-5°C车辆正常启动时，锂电池自动开启低温加热功能。当电池温度低于-5°C车辆无法正常启动时，可使用LOBOO迷你充电器C20Pro或充电保养器C40T给锂电池充电（充电电流需大于1A）启动低温加热功能，3-5分钟后锂电池恢复活性可尝试再次启动车辆。
充电温度	0°C to 45°C
放电温度	-20°C to 60°C
存储温度	-20°C to 45°C(不超一个月) 0°C to 35°C(不超六个月)



45C高倍率放电



高品质磷酸铁锂电池



充电均衡保护



短路保护



过充保护



双正负极设计



内置低温充电加热



过放保护



过流保护



温度保护



IP67防尘防水等级



充放电循环次数2000+



-20°C低温正常启动



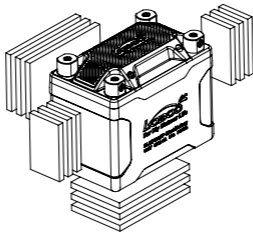
大电流快速充放电



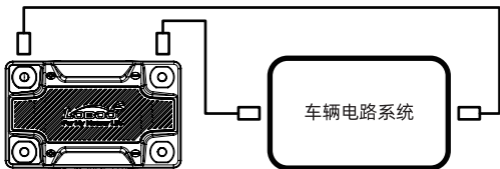
休眠自放电小

### 三、安装使用

1. 安装前用电压表检查电池电压，如果电压低于12.8V，请先用外接充电器充电。
2. 安装请遵循车辆制造商说明书进行操作。
3. 根据制造商的说明书操作方法，从车上卸下原来的铅酸电池。一定要先将负极螺栓和电线卸下，然后再将正极螺栓和电线卸下，以避免短路。
4. 检查原装电池和锂电池极性，两个电池极柱方向位置必须是相同的，注意正负极方向，不可反接。
5. 对比锂电池和原装电池的长度、宽度和高度。尺寸相同的电池可以直接安装，如果锂电池尺寸偏小，请用配置的单面带胶的泡棉，根据需要剪裁粘贴于电池的底部和侧面，从而达到与原装电池相近的尺寸，如下图所示。



6. 安装时请正确连接正负极电线，红色接正极，黑色接负极，严禁正负反接，一定要先将正极柱和红线端子用螺丝锁紧，然后再将负极柱和黑线端子锁紧，以避免短路。



## 四、充电

1. 请使用品牌优质充电器，充满电及时移除充电器(有智能养护或断电功能的充电器除外)。
2. 车辆整流器或者外接充电器对电池的充电电压应该限制在14.0-15.0V之间。
3. 请用低于参数表中所标注的最高充电电流充电。
4. 电池外接充电后放置一至两个小时后检查其电压，如果电压低于12.8V，请继续充电。

## 五、存储

1. 电池应存放于干燥、通风的环境中，避免接触腐蚀性物质，远离高温、明火。
2. 电池存储应保证电池有70%以上电量。
3. 储存过程中，建议每隔180天给电池满充一次电。
4. 车辆若长期不使用，请将电池与车辆连线断开，防止车辆漏电而导致电池电压过低或电芯自耗电导致电池过放电损坏。

## 六、注意事项

1. 避免加装超过车辆最大发电功率的电子负载，否则容易造成电瓶电压过低及车辆损坏，建议加装大功率电子负载可另购LOBOO摩托车电池智能保护器配合使用。
2. 避免短时间频繁启动。车辆启动持续时间在3-5秒内，再次启动间隔不少于15秒，避免过度放电。
3. 如锂电池过放电引发低电压保护机制后，请使用LOBOO迷你充电器C20Pro或充电保养器C40T给锂电池充电激活(充电电流需大于1A)。
4. 如因安装时正负极反接导致的车辆电子系统或加装电子设备的损坏，用户需自行承担由此造成的损失。
5. 当电池外接电路发生短路时，本产品具备短路保护功能可避免电池损坏，电池外接电路如车辆电路、加装电子设备因自身短路故障所造成的损坏，用户需自行承担由此造成的损失。
6. 请勿对电池撞击、抛掷、踩踏，否则可能会造成电池损坏。
7. 请注意清洁电池极柱和车辆电线端子，安装时螺丝牢固锁紧电池极柱，否则可能会造成车辆难以启动。
8. 请勿拆解本产品，否则可能会引起电池故障或者火花，导致安全事故。
9. 如发现电池出现异常如出现发热、变形、异味、漏液等，请立即停止使用。当电池在使用或者充电中出现异常，请立即将电池从车内移出或者断开充电，并停止使用。
10. 电池充电电压应控制在15V以下，否则可能会造成电池损坏。
11. 避免电池长时间处于高温环境下(45°C以上)，禁止雨淋或浸水。
12. 基于锂电池的产品在产品寿命结束时根据当地法规进行处置。

**警告：电池内电解液对人的皮肤和眼睛有害，如果从电池中泄露出来的电解液碰到您的眼睛，请不要揉，立即用清水冲洗，并去医院就诊。如果处理方法不当，电解液将会危害您的眼睛。**

# 保修卡

需要保修服务时，请出示本保修卡，并请详尽填写相关内容。  
本公司向产品用户提供从产品购买之日起12个月的免费保修服务。

- 保修范围：**
1. 在正常使用的状态下出现产品质量问题。
  2. 如因操作失误造成对产品的损害，不在保修范围。
  3. 自行拆机、改装、超范围使用等，不予保修。
  4. 涂改机身号和撕毁标贴的机器，不予保修。
  5. 电池长时间空置且不按要求及时充电导致的电池过放电损坏，不予保修。

使用前请仔细阅读相关售后服务条款，拆除包装并使用即表示接受此售后服务条款，如不同意上述服务条款，请勿使用，并联系经销商退货。不在保修范围内的产品，我司可提供有偿保修服务，费用以实际更换材料费用为准，不另收取人工费用。

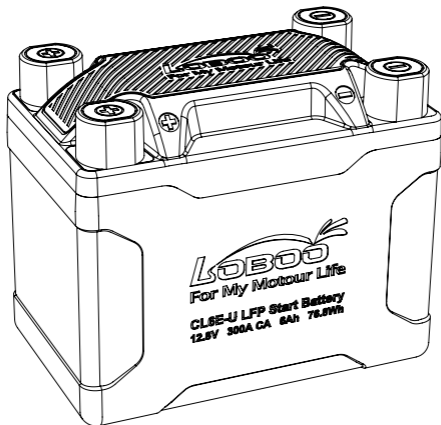
产品型号	CL6E-U	出厂编号	
购买日期		经销商	
客户姓名		联系电话	
客户地址			
产品异常现象描述			

(本保修卡复印有效)



# Motorcycle Safety LFP Start Battery

Model CL6E-U

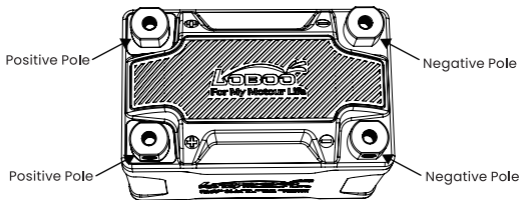


**Application Range:** This product is suitable for fuel-powered motorcycles with a displacement of 900cc or below and a DC voltage of 12V.

**Before using this product, please carefully read the instruction manual to avoid improper usage that may result in product damage.**



## Product Schematic



## Product Specifications

Dimensions	114 × 70 × 95mm
Weight	1200g
Capacity	6AH
Charging Voltage	14.6V (MAX)
Standard Charging	3A/2.5h
Fast Charging	6A/1.5h
Maximum Continuous Discharge Current	70A
Low-Temperature Charging Heating Function	When the battery temperature is below $-5^{\circ}\text{C}$ and the vehicle starts normally, the lithium battery automatically activates the low-temperature heating function. When the battery temperature is below $-5^{\circ}\text{C}$ and the vehicle cannot start, you can use the LOBOO Mini Charger C20Pro or Maintenance Charger C40T to charge the lithium battery (charging current should be greater than 1A) and activate the low-temperature heating function. After 3-5 minutes, the lithium battery will regain activity, and you can try starting the vehicle again.
Charging Temperature	$0^{\circ}\text{C}$ to $45^{\circ}\text{C}$
Discharging Temperature	$-20^{\circ}\text{C}$ to $60^{\circ}\text{C}$
Storage Temperature	$-20^{\circ}\text{C}$ to $45^{\circ}\text{C}$ (Not exceed one month) $0^{\circ}\text{C}$ to $35^{\circ}\text{C}$ (Not exceed six month)



45C High-rate discharge



High-quality lithium iron phosphate battery



Charging balance protection



Short circuit protection



Overcharge protection



Dual positive and negative pole design



Built-in low-temperature charging heating



Over-discharge protection



Over-current protection



Temperature protection



IP67 Dust-proof and Water-proof rating



2000+ charge-discharge cycles



Normal startup at -20°C



High-current rapid charging and discharging

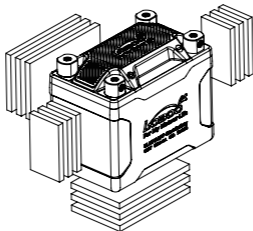


Low self-discharge during standby

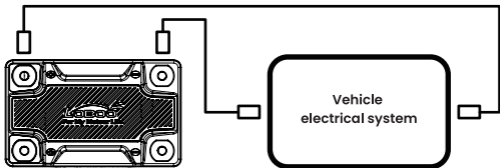
## Installation and Usage

1. Before installation, check the battery voltage using a voltmeter. If the voltage is below 12.8V, charge the battery with an external charger first.
2. Follow the instructions provided by the vehicle manufacturer for installation.
3. According to the manufacturer's instructions, remove the original lead-acid battery from the vehicle. Always remove the negative terminal bolt and wire first, and then remove the positive terminal bolt and wire to avoid short circuits.
4. Check the polarity of both the original battery and the lithium battery. The positions of the two battery terminals must be the same, and pay attention to the positive and negative terminal directions. Do not reverse the connections.
5. Compare the length, width, and height of the lithium battery with the original batte-

ry. If the lithium battery is smaller in size, use the provided adhesive foam with single-sided tape. Cut and attach it to the bottom and sides of the battery as needed to achieve a similar size to the original battery, as shown in the diagram below.



6. During installation, ensure proper connection of the positive and negative terminals. Connect the red wire to the positive terminal and the black wire to the negative terminal. It is strictly prohibited to reverse the connections. Securely fasten the positive terminal post and red wire with a screw first, and then secure the negative terminal post and black wire to avoid short circuits.



## Charging

1. Please use high-quality branded chargers and promptly remove the charger once the battery is fully charged (except for chargers with intelligent maintenance or power-off functions).
2. The charging voltage from the vehicle rectifier or external charger should be limited to between 14.0V and 15.0V.
3. Charge the battery with a current lower than the maximum charging current specified in the parameter table.
4. After external charging, allow the battery to sit for one to two hours and then check its voltage. If the voltage is below 12.8V, continue charging.

## Storage

1. Store the battery in a dry, well-ventilated environment, away from corrosive substances, high temperatures, and flames.
2. Ensure that the battery is stored with a charge level of 70% or higher.
3. During storage, it is recommended to fully charge the battery every 180 days.
4. If the vehicle is not in use for an extended period, disconnect the battery from the vehicle to prevent vehicle power leakage, which could result in excessively low battery voltage or self-discharge of the battery cells, leading to damage from over-discharge.

## Attention

1. Avoid installing electronic loads that exceed the vehicle's maximum power output, as this can lead to battery voltage drop and vehicle damage. We recommend using the LOBOO Motorcycle Battery Intelligent Protector for installing high-power electronic loads, which can be purchased separately.
2. Avoid frequent short-duration startups. The vehicle's startup duration should be within 3-5 seconds, with an interval of no less than 15 seconds between consecutive startups to prevent excessive discharge.
3. If the lithium battery becomes deeply discharged, triggering the low voltage protection mechanism, please use the LOBOO Mini Charger C20Pro or Maintenance Charger C40T to recharge and activate the lithium battery (charging current should be greater than 1A).
4. Users will be responsible for any damages to the vehicle's electronic system or additional electronic devices caused by incorrect polarity connection during installation, and any resulting losses.
5. This product is equipped with short circuit protection to prevent battery damage in case of external circuit short circuits. However, users will be responsible for any damages to external circuits such as vehicle circuits or additional electronic devices caused by their own short circuit faults, and any resulting losses.
6. Do not subject the battery to impact, throwing, or stepping on it, as this may cause battery damage.
7. Pay attention to cleaning the battery terminals and vehicle wire connectors. During installation, ensure that the screws are securely fastened to the battery terminals to prevent difficulties in vehicle startup.
8. Do not disassemble this product, as it may result in battery malfunctions or sparks, leading to safety accidents.
9. If any abnormalities are observed with the battery, such as overheating, deformation, strange odors, or leakage, immediately stop using it. In case of abnormalities during battery use or charging, promptly remove the battery from the vehicle or disconnect the charging, and cease using it.

10. The battery charging voltage should be controlled below 15V to prevent battery damage.
11. Avoid exposing the battery to high temperatures for prolonged periods (above 45 °C) and protect it from rain or water immersion.
12. Based on the disposal of lithium batteries in accordance with local regulations when the product can no longer be used.

**Warning: The electrolyte inside the battery is harmful to the skin and eyes. If electrolyte leakage comes into contact with your eyes, do not rub them. Immediately rinse with clean water and seek medical attention. Improper handling can pose a risk to your eyes.**

**Please read the relevant after-sales service terms in detail before use. By unpacking and using the product, you accept these after-sales service terms. If you do not agree with the aforementioned terms, please refrain from using the product and contact the dealer for a return. For products not covered by the warranty, our company provides paid repair services. The charges will be based on the actual cost of material replacement and do not include additional labor costs.**

# Warranty Card

**When you need warranty service, please present this warranty card and fill in the relevant contents thoroughly. Our company provides free warranty service for 12 months from the date of purchase.**

## Warranty Coverage:

1. Product quality issues that occur during normal usage are covered by the warranty.
2. Damages caused by operator error are not covered by the warranty.
3. Self-disassembly, modification, and excessive or improper usage are not eligible for warranty coverage.
4. Machines with altered serial numbers or torn-off labels are not eligible for warranty coverage.
5. Battery damage resulting from prolonged storage without timely charging as per the requirements is not covered by the warranty.

Model	CL6E-U	Factory Number	
Date of Purchase		Dealer	
Customer Name		Contact Number	
Customer Address			
Description of product abnormalities			

(This warranty card copy is valid)

单页尺寸:120\*85mm

120g双面铜版纸, 风琴折,  
双面印刷